

Flanged two-way connector clamps

Aluminium / multi part assembly

SPECIFICATION

Identification No.

No. **2**: with Stainless Steel-Clamping screw DIN 912

Aluminium

plastic coated

black, RAL 9005, textured finish **SW**

blank

matt shot-blasted **BL**

Clamping bores not machined

Socket cap screw DIN 912

Stainless Steel AISI 304

Hexagon nuts DIN 985

Stainless Steel AISI 304



INFORMATION

The clamping bores of GN 141 flanged two-way connector clamps are not machined and specially designed for construction tubes GN 990 (see page 1902) or DIN 2391, DIN 2395 and DIN 2462 respectively.

The square designs are also suitable for use in **profile systems**.

Bores and square bores of the same nominal size can be assembled in any combination. For instance, nominal size 20 has the following combination options: B20-B20, B20-V20, V20-B20 and V20-V20.

The standard clamping screws are socket cap screws DIN 912. They can be replaced by adjustable clamping kits GN 911 (see page 1874) (article code see table of dimensions).

ACCESSORY

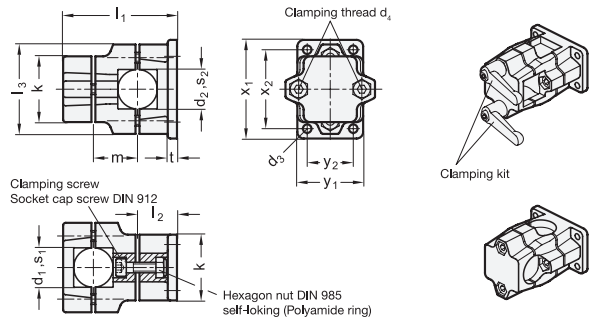
- Clamping kits GN 911 (see page 1874)

TECHNICAL INFORMATION

- Stainless Steel characteristics (see page A26)

* Complete with colour index of the Flanged two-way connector clamps (SW or BL)

SW RAL9005 **BL** blank



GN 141

Description	d1	s1	d2	s2	d3	d4	k	l1	l2	l3	m	t	x1	x2	y1	y2	Clamping kits for d4	⚖	
GN 141-B20-V20-2-* B 20	-	-	V 20	6.5	M 8	50	86	30	68	36	7	75	60	50	35		GN 911-M8-35	395	
GN 141-B25-V25-2-* B 25	-	-	V 25	6.5	M 8	50	86	30	68	36	7	75	60	50	35		GN 911-M8-35	375	
GN 141-B30-V30-2-* B 30	-	-	V 30	6.5	M 8	50	86	30	68	36	7	75	60	50	35		GN 911-M8-35	355	
GN 141-B40-V40-2-* B 40	-	-	V 40	11	M 10	76	136	46	98	55	14	115	90	76	50		GN 911-M10-63	1000	
GN 141-B45-V45-2-* B 45	-	-	V 45	11	M 10	76	136	46	98	55	14	115	90	76	50		GN 911-M10-63	945	
GN 141-B50-V50-2-* B 50	-	-	V 50	11	M 10	76	136	46	98	55	14	115	90	76	50		GN 911-M10-63	920	
GN 141-V20-V20-2-*	-	V 20	-	V 20	6.5	M 8	50	86	30	68	36	7	75	60	50	35		GN 911-M8-35	390
GN 141-V25-V25-2-*	-	V 25	-	V 25	6.5	M 8	50	86	30	68	36	7	75	60	50	35		GN 911-M8-35	365
GN 141-V30-V30-2-*	-	V 30	-	V 30	6.5	M 8	50	86	30	68	36	7	75	60	50	35		GN 911-M8-35	340
GN 141-V40-V40-2-*	-	V 40	-	V 40	11	M 10	76	136	46	98	55	14	115	90	76	50		GN 911-M10-63	1090
GN 141-V45-V45-2-*	-	V 45	-	V 45	11	M 10	76	136	46	98	55	14	115	90	76	50		GN 911-M10-63	1040
GN 141-V50-V50-2-*	-	V 50	-	V 50	11	M 10	76	136	46	98	55	14	115	90	76	50		GN 911-M10-63	975
GN 141-V20-B20-2-*	-	V 20	B 20	-	6.5	M 8	50	86	30	68	36	7	75	60	50	35		GN 911-M8-35	395
GN 141-V25-B25-2-*	-	V 25	B 25	-	6.5	M 8	50	86	30	68	36	7	75	60	50	35		GN 911-M8-35	375
GN 141-V30-B30-2-*	-	V 30	B 30	-	6.5	M 8	50	86	30	68	36	7	75	60	50	35		GN 911-M8-35	355
GN 141-V40-B40-2-*	-	V 40	B 40	-	11	M 10	76	136	46	98	55	14	115	90	76	50		GN 911-M10-63	1030
GN 141-V45-B45-2-*	-	V 45	B 45	-	11	M 10	76	136	46	98	55	14	115	90	76	50		GN 911-M10-63	980
GN 141-V50-B50-2-*	-	V 50	B 50	-	11	M 10	76	136	46	98	55	14	115	90	76	50		GN 911-M10-63	950

Weight BL